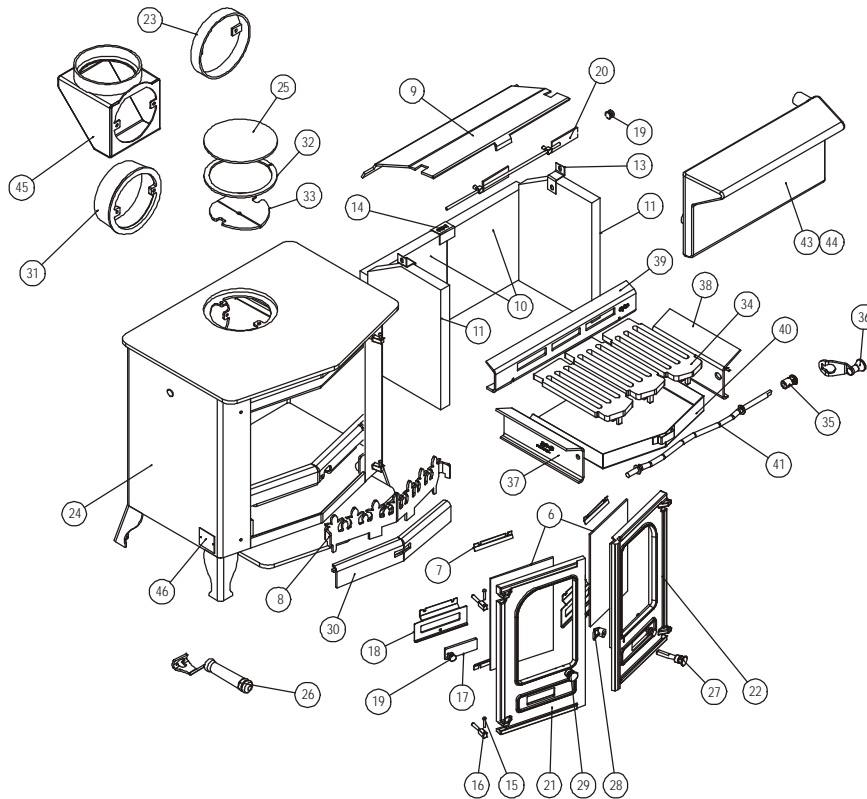


Parts List



Item	Part No.	Description	Item	Part No.	Description
1*	008/LV35L	Left Hand Door Seal .....	36#	008/DY27	Riddling Tool .....
2*	008/LV35R	Right Hand Door Seal .....	37#	010/GY05L	Side Grate Support Plate L.H. ....
3*	008/LV35/S	Door Seal Set Incl. Adhesive .....	38#	010/GY05R	Side Grate Support Plate R.H. ....
4*	008/FW29	Door Seal Adhesive .....	39#	010/GY06	Rear Grate Support Plate .....
5*	008/TW44S	Glass Channel (set of 8) .....	40#	004/LV17	Ashpan .....
6	006/LW30	Glass (Inc Channel) .....	41#	010/GY13	Riddler Rod .....
7	004/GV23	Glass Retainer .....	41a	010/GY20	Multifuel Kit (Optional Extra) .....
8	010/DY08	Fuel Retainer .....	42*	008/DY23	Riddler Rod Retaining Clips (pack of 10)
9	010/MV31	Throat Plate .....	43	010/MV25	Boiler, Steel (Optional Extra) .....
10	011/MV29B	Back Half Fire Brick .....	44	010/MV25/SS	Boiler, Stainless Steel (Optional Extra) ...
11	011/LV28	Side Fire Brick .....	45	010/TW33	Vert. Rear Flue Connector (Opt'l Extra)
12	011/MV28S	Set of Fire Bricks .....	46	012/MV11	Serial No. Label
13	004/XV30	Brick Retainer .....	47*	010/EW51	Ash Carrier (Optional Extra) .....
14	004/LV24	Rear Brick Joining Bracket .....			
15	008/BW39/S	Hinge Pin Set (4 per set) .....			
16	008/FW27	Hinge Post .....			
17	012/TW14	Primary Air Slide .....			
18	004/DY26	Primary Air Slide Guide .....			
19	002/TW13	Air Control Knob .....			
20	004/GY14	Airwash Slide .....			
21	002/GV01	Left Hand Door .....			
22	002/GV02	Right Hand Door .....			
23	010/TW55	Flue collar for Cast Pipe (Opt'l Extra) ...			
24	001/GY10	Firebox (Country 12 WB MkII) .....			
25	012/TW09	Blanking Plate .....			
26	012/BV20/A	Ashpan / Door Opening Tool .....			
27	002/DY18	R.H. Door Knob & Spindle .....			
28	002/AY14	Door Catch Cam .....			
29	002/DY19	Left Hand Door Knob .....			
30	010/DY14	Wood Ash Retainer .....			
31	002/CH12B	Flue Collar .....			
32	010/NV11	Flue Spacer Ring .....			
33	010/TW61	Clamping Plate .....			
34#	002/FY03	Grate Plate .....			
35#	002/DY21	Riddler Knob .....			

\* These items are not shown on the drawing.  
 # These items are included in the optional multi-fuel kit.



To obtain spare parts please contact your local stockist giving Model, Part No. and Description. In case of difficulty contact the manufacturer at the address shown. This drawing is for identification purposes only.