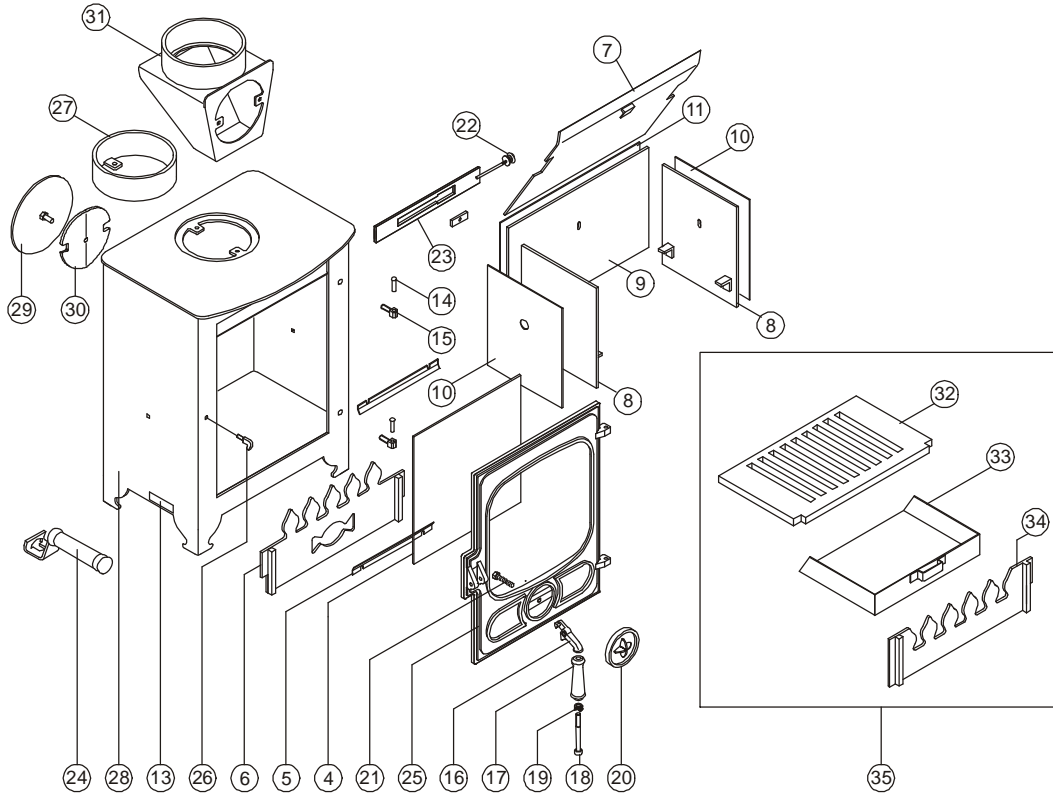


Parts List



Item	Part No.	Description	Item	Part No.	Description	Ex.Vat.	Inc.Vat.
1*	008/PV21	Door Seal .....	37*	010/PV35	Boiler, Steel (Optional Extra) .....	80.85	95.00
2*	008/FW29	Door Seal Adhesive .....	38*	010/PV35/SS	Boiler, Stainless Steel (Opt'l Extra) .....	140.43	165.01
3*	008/PV23	Glass Seal .....					
4	006/PV19	Glass (Inc Seal) .....					
5	004/BW23	Glass Retainer .....					
6	002/PV07	Log Retainer .....					
7	010/PV31	Throat Plate .....					
8	010/PV15	Side Fire Plate .....					
9	010/PV16	Back Fire Plate .....					
10	011/PV26	Side Ceramic Gasket .....					
11	011/PV27	Back Ceramic Gasket .....					
12	008/PV29	Set of Fire Plates(3) & Gaskets .....					
13	012/PV11	Serial No. Label					
14	008/PV28/S	Hinge Pin Set (2 per set) .....					
15	008/FW28	Hinge Post .....					
16	002/PV03	Door Catch Lever .....					
17	008/PV08	Door Handle (Incl. Screw & Washer) ....					
18	008/PV42	Handle Screw M8 x 80mm Skt Hd Cap .					
19	008/PV43	Thakaray Washer M8 x 7mm .....					
20	002/PV02	Primary Air Control .....					
22	002/TW13	Air Control Knob .....					
23	012/PV25	Airwash Slide .....					
24	012/BV20/A	Ashpan / Door Opening Tool .....					
25	002/PV01	Door .....					
26	002/PV13	Door Latch Hook .....					
27	002/PV12B	Flue Collar .....					
28	001/PV10	Firebox (Country 4) .....					
29	012/PV09	Blanking Plate .....					
30	012/PV14	Clamping Plate .....					
31	010/PV33	Vert. Rear Flue Adapter (Opt'l Extra) ...					
32	002/PV22	Coal Grate (Optional Extra) .....					
33	004/PV17	Ashpan .....					
34	002/PV06	Coal Retainer (Optional Extra) .....					
35	010/PV20	Coal Kit - 3 Items (Optional Extra) .....					
36*	004/RW51	Ash Carrier (Optional Extra) .....					

\* These items are not shown on the drawing.



To obtain spare parts please contact your local stockist giving Model, Part No. and Description. In case of difficulty contact the manufacturer at the address shown. This drawing is for identification purposes only.