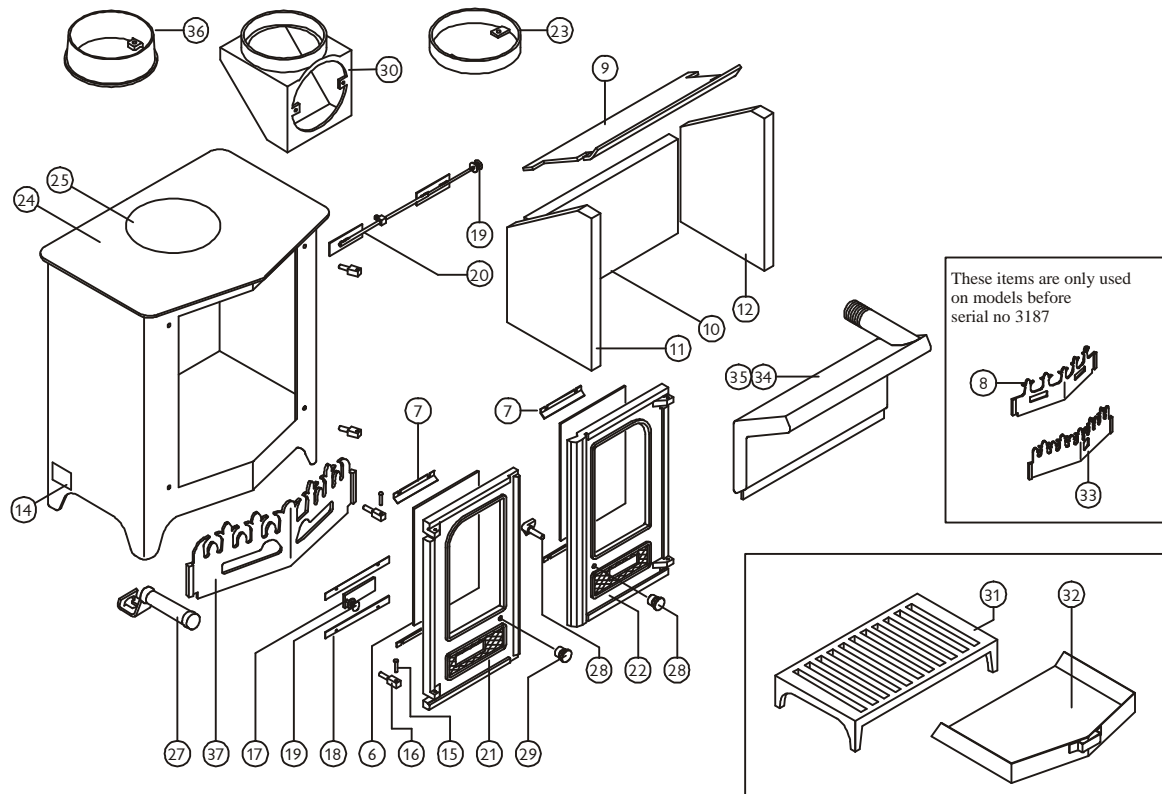


Parts List



| Item | Part No. | Description |
|------|------------|---|
| 1*# | 008/GV35L | Left Hand Door Seal |
| 1a* | 008/LV35L | Left Hand Door Seal |
| 2*# | 008/GV35R | Right Hand Door Seal |
| 2a* | 008/GV35R | Right Hand Door Seal |
| 3*# | 008/GV35/S | Door Seal Set Incl. Adhesive |
| 3a* | 008/LV35/S | Door Seal Set Incl. Adhesive |
| 4* | 008/FW29 | Door Seal Adhesive |
| 5* | 008/TW44S | Glass Channel (set of 8) |
| 6 | 006/LW30 | Glass (Inc Channel) |
| 7 | 004/GV23 | Glass Retainer |
| 8# | 010/GV07 | Log Retainer |
| 9 | 010/GV31 | Throat Plate |
| 10 | 011/GV29 | Back Fire Brick |
| 11 | 011/GV28L | Left Hand Fire Brick |
| 12 | 011/GV28R | Right Hand Fire Brick |
| 13 | 011/GV28S | Set of Fire Bricks |
| 14 | 012/GV11 | Serial No. Label |
| 15 | 008/BW39/S | Hinge Pin Set (4 per set) |
| 16 | 008/FW27 | Hinge Post |
| 17 | 012/TW14 | Primary Air Slide |
| 18 | 004/FV18 | Primary Air Slide Guide |
| 19 | 002/TW13 | Air Control Knob |
| 20 | 004/TW48 | Airwash Slide |
| 21 | 002/TW01 | Left Hand Door |
| 22 | 002/BV02 | Right Hand Door |
| 23 | 010/TW55 | Flue collar for Cast Pipe (Opt'l Extra) ... |
| 24 | 001/GV10 | Firebox (Country 6) |
| 25 | 012/TW09 | Blanking Plate |
| 26* | 010/EW51 | Ash Carrier (Optional Extra) |
| 27 | 012/BV20/A | Ashpan / Door Opening Tool |
| 28 | 008/BV03/A | Door Catch Assembly |
| 29 | 002/BV12 | Left Hand Door Knob |
| 30 | 010/TW33 | Vert. Rear Flue Connector (Opt'l Extra) |
| 31 | 002/SW09 | Coal Grate (Optional Extra) |
| 32 | 004/GV17 | Ashpan |

| Item | Part No. | Description |
|------|-------------|--|
| 33# | 010/GV08 | Coal Retainer (Optional Extra) |
| 34 | 010/TW50 | Boiler, Steel (Optional Extra) |
| 35 | 010/TW50/SS | Boiler, Stainless Steel (Optional Extra) ... |
| 36 | 002/CH12B | Flue Collar |
| 37 | 002/LV07C/A | Front Fence |
| 38 | 010/GV20 | Coal Kit |

* These items are not shown on the drawing.



To obtain spare parts please contact your local stockist giving Model, Part No. and Description. In case of difficulty contact the manufacturer at the address shown. This drawing is for identification purposes only.