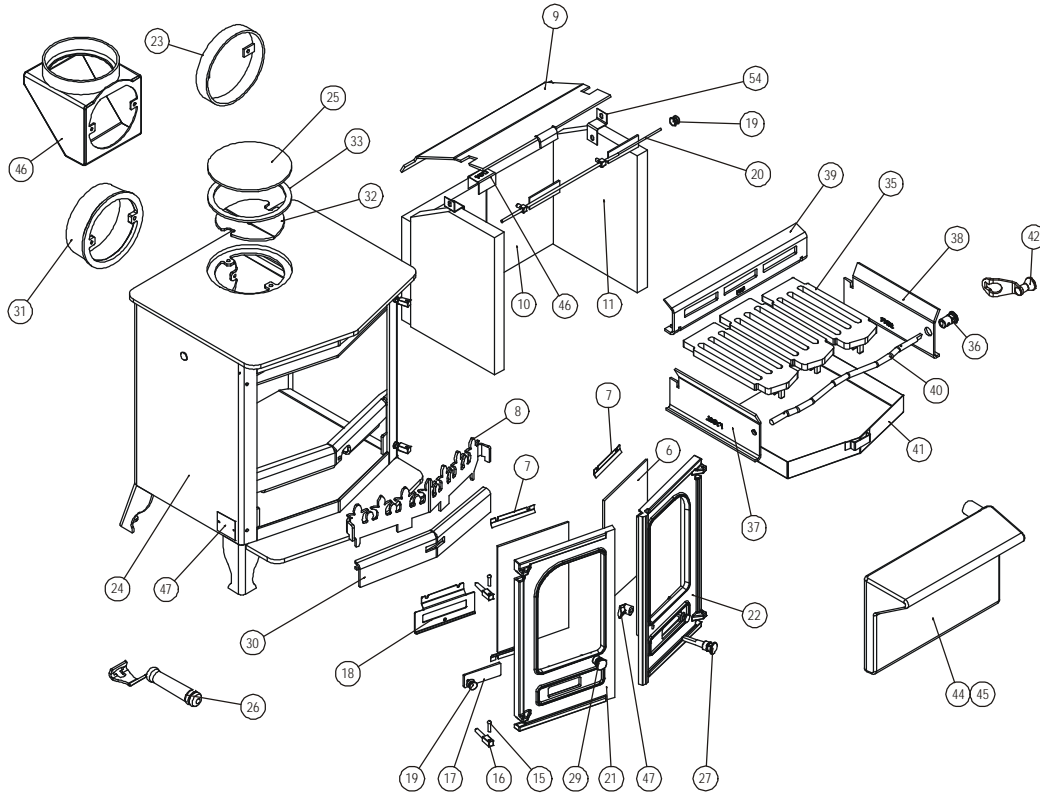


Parts List



Item	Part No.	Description	Item	Part No.	Description
1*	008/LV35L	Left Hand Door Seal	36#	002/DY21	Riddler Knob
2*	008/LV35R	Right Hand Door Seal	37#	010/FY05L	Side Grate Support Plate L.H.
3*	008/LV35/S	Door Seal Set Incl. Adhesive	38#	010/FY05R	Side Grate Support Plate R.H.
4*	008/FW29	Door Seal Adhesive	39#	010/FY06	Rear Grate Support Plate
5*	008/TW44S	Glass Channel (set of 8)	40#	010/DY13	Riddler Rod
6	006/LW30	Glass (Inc Channel)	41#	004/LV17	Ashpan
7	004/GV23	Glass Retainer	42#	008/DY27	Riddling Tool
8	010/DY08	Fuel Retainer	43*	008/DY23	Riddler Rod Retaining Clips (pack of 10
9	010/LV31	Throat Plate	43a	010/FY20	Multi Fuel kit (Optional Extra)
10	011/LV29B	Back Half Fire Brick	44	010/LV25	Boiler Steel (Optional Extra)
11	011/LV28	Side Fire Brick	45	010/LV25/SS	Boiler Stainless Steel (Optional Extra) ...
12	011/LV28S	Set of Fire Bricks	46	010/TW33	Vert. Rear Flue Connector (Opt'l Extra)
13	004/XV30	Brick Retainer	47	012/LV11	Serial No. Label
14	004/LV24	Rear Brick Joining Bracket			
15	008/BW39/S	Hinge Pin Set (4 per set)			
16	008/FW27	Hinge Post			
17	012/TW14	Primary Air Slide			
18	004/DY26	Primary Air Slide Guide			
19	002/TW13	Air Control Knob			
20	004/TW48	Airwash Slide			
21	002/GV01	Left Hand Door			
22	002/GV02	Right Hand Door			
23	010/TW55	Flue collar for Cast Pipe (Opt'l Extra) ...			
24	001/FY10	Firebox (Country 8 WB MkII)			
25	012/TW09	Blanking Plate			
26	012/BV20/A	Ashpan / Door Opening Tool			
27	002/DY18	R.H. Door Knob & Spindle			
28	002/AY14	Door Catch Cam			
29	002/DY19	Left Hand Door Knob			
30	010/DY14	Wood Ash Retainer			
31	002/CH12B	Flue Collar			
32	010/TW61	Clamping Plate			
33	010/NV11	Flue Spacer Ring			
34*	010/EW51	Ash Carrier (Optional Extra)			
35#	002/FY03	Grate Plate			

* These items are not shown on the drawing.

These items are included in the optional multi-fuel kit.



To obtain spare parts please contact your local stockist giving Model, Part No. and Description. In case of difficulty contact the manufacturer at the address shown. This drawing is for identification purposes only.