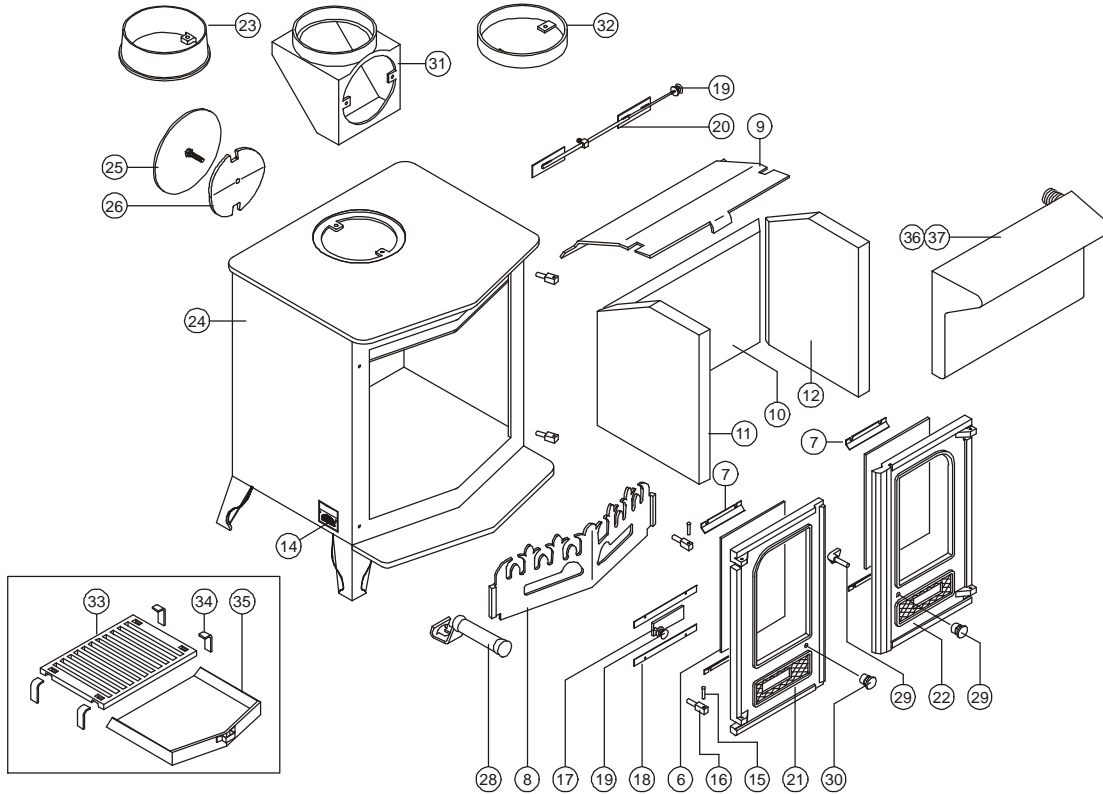


Parts List



Item	Part No.	Description	Item	Part No.	Description
1*	008/LV35L	Left Hand Door Seal	36	010/LV25	Boiler Steel (Optional Extra)
2*	008/LV35R	Right Hand Door Seal	37	010/LV25/SS	Boiler Stainless Steel (Optional Extra)
3*	008/LV35/S	Door Seal Set Incl. Adhesive	38	010/LV20	Coal Kit
4*	008/FW29	Door Seal Adhesive			
5*	008/TW44S	Glass Channel (set of 8)			
6	006/LW30	Glass (Inc Channel)			
7	004/GV23	Glass Retainer			
8	002/LV07C/A	Front Fence			
9	010/LV31	Throat Plate			
10	011/LV29	Back Fire Brick			
11	011/LV28L	Left Hand Fire Brick			
12	011/LV28R	Right Hand Fire Brick			
13	011/LV28S	Set of Fire Bricks			
14	012/LV11	Serial No. Label			
15	008/BW39/S	Hinge Pin Set (4 per set)			
16	008/FW27	Hinge Post			
17	012/TW14	Primary Air Slide			
18	004/FV18	Primary Air Slide Guide			
19	002/TW13	Air Control Knob			
20	004/TW48	Airwash Slide			
21	002/TW01	Left Hand Door			
22	002/BV02	Right Hand Door			
23	002/CH12B	Flue Collar			
24	001/LV10	Firebox (Country 8WB)			
25	012/TW09	Blanking Plate			
26	010/TW61	Clamping Plate			
27*	010/EW51	Ash Carrier (Optional Extra)			
28	012/BV20/A	Ashpan / Door Opening Tool			
29	008/BV03/A	Door Catch Assembly			
30	002/BV12	Left Hand Door Knob			
31	010/TW33	Vert. Rear Flue Connector (Opt'l Extra)			
32	010/TW55	Flue collar for Cast Pipe (Opt'l Extra)			
33	002/LV03	Coal Grate (Optional Extra)			
34	010/LV04/S	Grate Legs (Set of 4)			
35	004/LV17	Ashpan			

* These items are not shown on the drawing.



To obtain spare parts please contact your local stockist giving Model, Part No. and Description. In case of difficulty contact the manufacturer at the address shown. This drawing is for identification purposes only.